



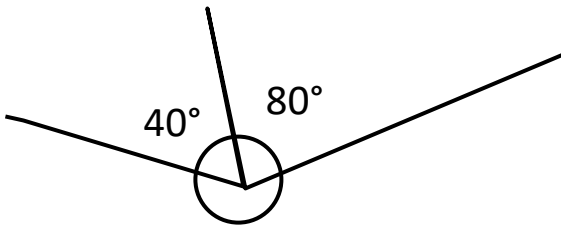
ANGLES AROUND A POINT 2

Work out the missing angles.

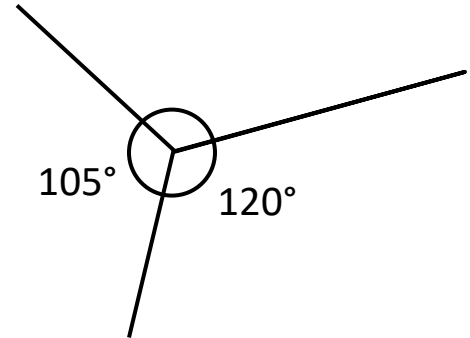
Remember that the angles around a point add up to 360° .

The angles are not drawn to scale, so do not try to measure them!

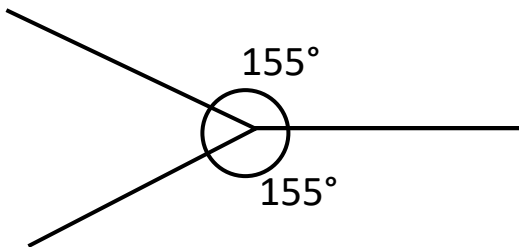
1)



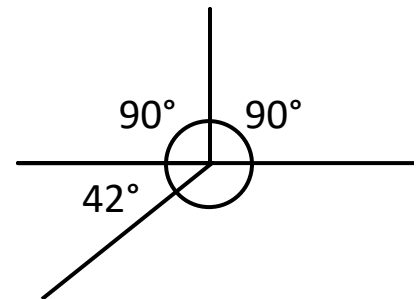
2)



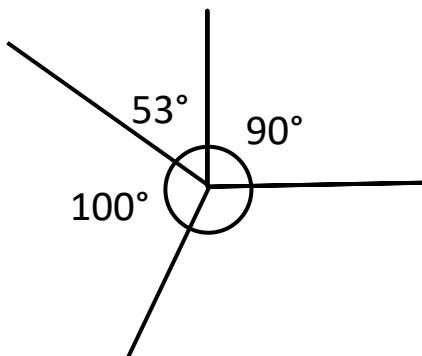
3)



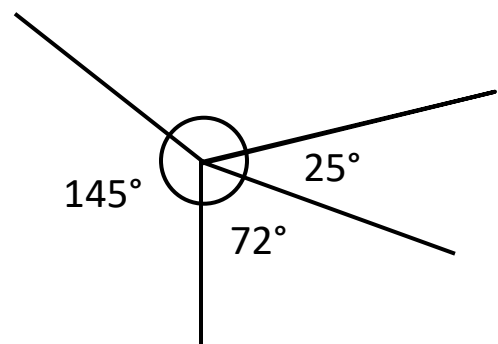
4)



5)



6)



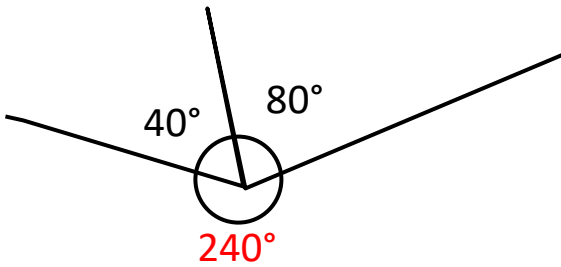
Name

Date

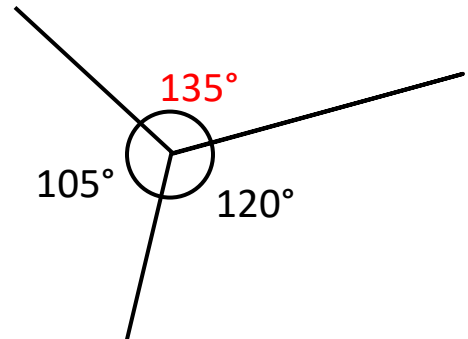


ANGLES AROUND A POINT 2 ANSWERS

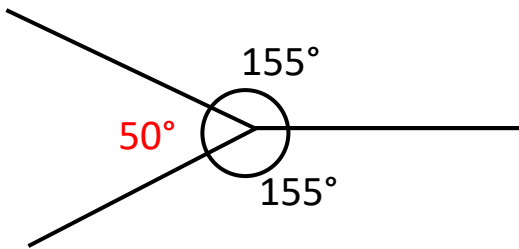
1)



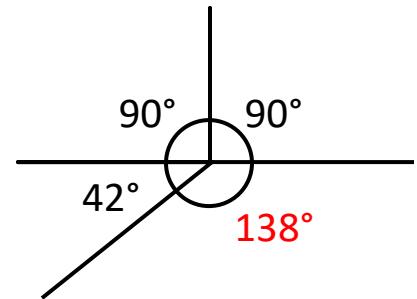
2)



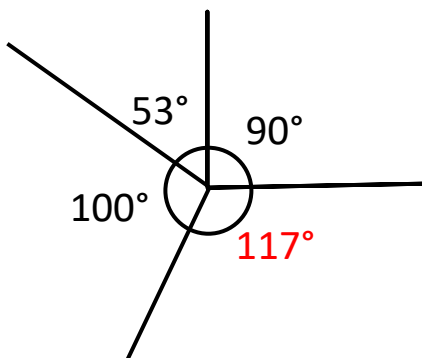
3)



4)



5)



6)

